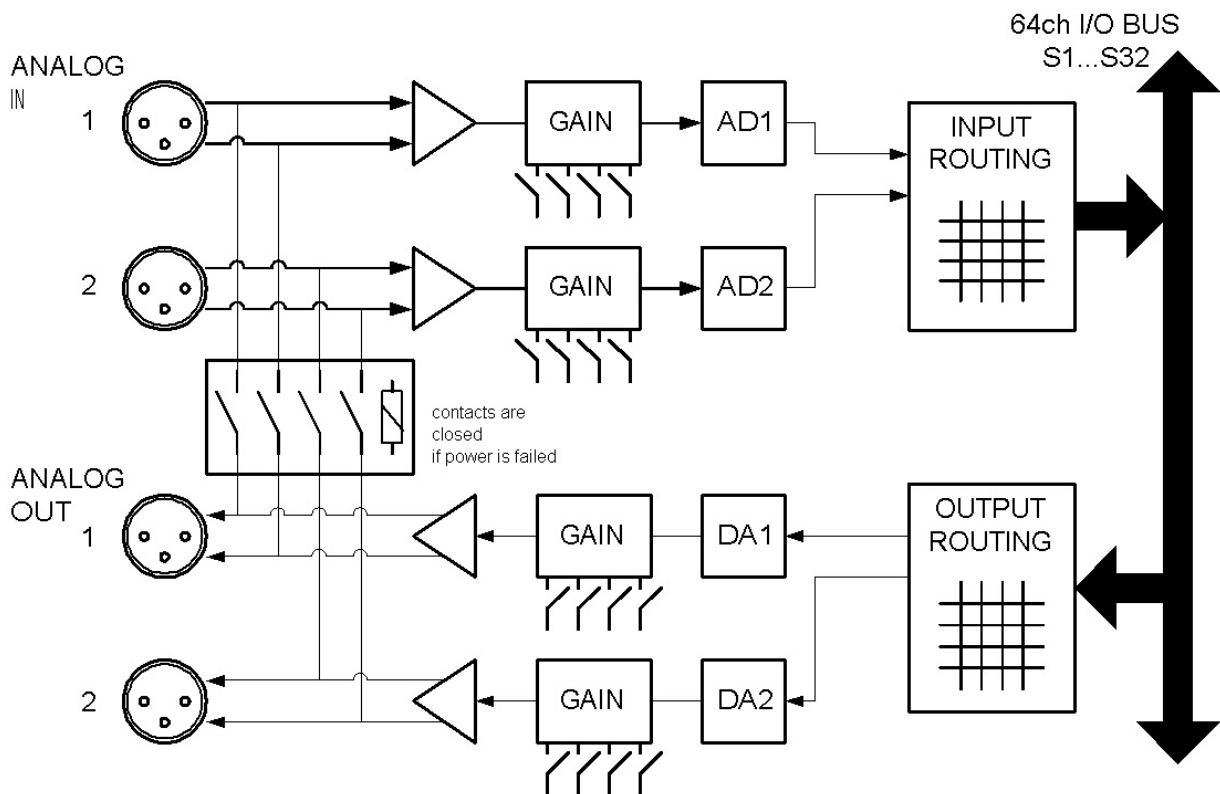
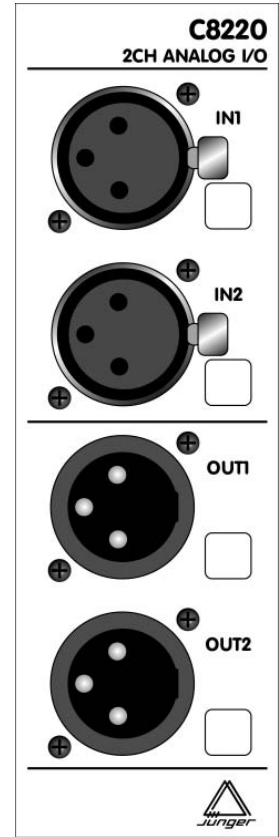


2ch analog input/output, hardware bypass

C8220

features

- 2ch analog input/output
- 24bit sigma-delta A/D-converter
- input sample rate up to 48kHz
- 24bit D/A-converter
- output sample rate up to 48kHz
- sophisticated circuit design
- balanced analog inputs and outputs
- electrical isolation between channels (floating)
- hardware bypass:
a relais is connecting related inputs and outputs if power is failed



2ch analog input/output, hardware bypass

C8220

technical specifications

ADC		DAC	
resolution	24bit	resolution	24bit
sample rate	32...48kHz	sample rate	32...48kHz
dynamic range	100dB (RMS) 103dB (A)	dynamic range	110dB (RMS) 114dB (A)
THD+N	<0.004% @ max. input level	THD+N	<0.002% @ max. output level
frequency response	20Hz...20kHz (FS=48kHz) 20Hz...40kHz (FS=96kHz)	frequency response	20Hz...20kHz (FS=48kHz)
(+/-0.5dB)		(+/-0.5dB)	
crosstalk	>100dB (1kHz) >85dB (20kHz)	crosstalk	>10010dB (1kHz) >90dB (20kHz)
ax. input level	+15...+28dBu @ 0dBFS	max. output level	+15...+28dBu @ 0dBFS
input impedance	10 kOhm, floating balanced	output impedance	60 Ohm, floating balanced
connector	XLR, 1-screen, 2-live, 3-return	connector	XLR, 1-screen, 2-live, 3-return

backplane connector: ref. to DIN41612, 64pin, a+b, mal
power supply +5V DC
consumption appr. 670 mA
dimensions 3RU, 8HP, 160mm depth

installation

