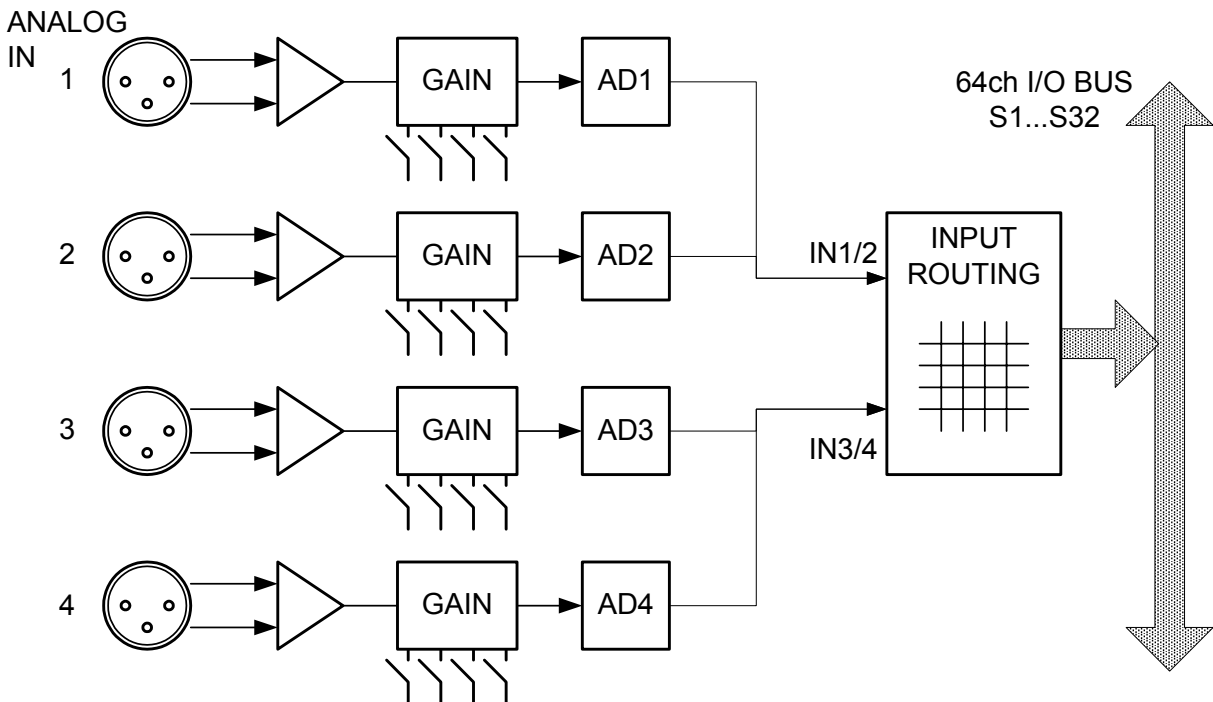
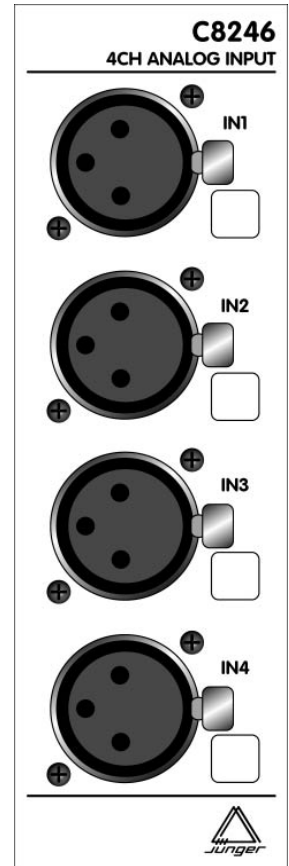


features

- 4ch A/D-converter
- 24bit sigma-delta A/D-converter
- input sample rate up to 48kHz
- sophisticated circuit design
- balanced analog inputs
- electrical isolation between channels (floating)



4ch analog input, 24bit ADC

C8246

technical specifications

resolution	24bit
sample rate	32...48kHz
dynamic range	103dB (RMS) 105dB (A)
THD+N	<0.002% @ max. input level
frequency response	20Hz...20kHz (FS=48kHz)
(+/-0.5dB)	
crosstalk	>100dB (1kHz) >95dB (20kHz)
max. input level	+15...+28dBu @ 0dBFS
input impedance	10 kOhm, floating balanced
connector	XLR, 1-screen, 2-live, 3-return
backplane connector:	ref. to DIN41612, 64pin, a+b, male
power supply	+5V DC
consumption	appr. 600 mA
dimensions	3RU, 8HP, 160mm depth

installation

